

- NOTES:**
- COMMUNICATIONS CONDUITS, ASSOCIATED FITTINGS, CAPS, DRAW WIRE, HAUL ROPES, INSTALLATION, TRENCHING, BEDDING AND BACKFILL ARE TO BE PROVIDED IN ACCORDANCE WITH AS/ACIF 5008:2006, ACIF C524:2004, AS/NZS2032:2006, AS/ACIF 5009:2006 COUNCIL CIVIL WORKS SPECIFICATION, RELEVANT MANUFACTURERS RECOMMENDATIONS AND NBN Co "NEW DEVELOPMENTS: DEPLOYMENT OF THE NBN Co CONDUIT & PIT NETWORK - GUIDELINES FOR DEVELOPERS" (V4, 9 JULY 2013).
  - 100mm & 50mm LOCAL NETWORK & LATERAL CONDUITS, 20mm & 50mm SERVICE DROP CONDUITS TO BE WHITE. BOTH ARE TO BE STAMPED "COMMUNICATIONS" AND COMPLY WITH AS/ACIF5008:2006.
  - ALL CONDUIT BENDS SHALL BE PREFABRICATED. COMBINATIONS OF BENDS WITH ANGLES OF 15°, 22.5° AND 30° SHOULD BE USED TO CHANGE THE DIRECTION OF THE 100mm CONDUIT WHERE REQUIRED. 50mm CONDUIT BENDS UTILISED FOR LOCAL LATERAL DUCTS CAN UTILISE A 90° BEND WHERE REQUIRED.
  - THE MINIMUM RADIUS OF THE CONDUIT BENDS SHOULD BE A MINIMUM OF 8 X THE OUTER DIAMETER OF THE CONDUIT.
  - PROVIDE 20mm (MINIMUM) SERVICE DROP CONDUITS FOR SINGLE DWELLING UNITS AND 50mm (MINIMUM) SERVICE DROP CONDUITS FOR MULTI DWELLING UNITS. SERVICE DROP CONDUITS ARE TO BE EXTENDED FROM THE LOCAL NETWORK / BOUNDARY PIT OR SERVICE DROP ACCESS PIT TO THE LOT BOUNDARY AND SHALL BE CAPPED NO MORE THAN 1 METER INSIDE THE LOT.
  - CONDUIT DEPTHS AND COVER:

LOCATION	MINIMUM COVER
SERVICE DROP CONDUIT LESS THAN 3M FROM THE PIT TO THE BOUNDARY ENTRY	300mm
SERVICE DROP CONDUIT MORE THAN 3M FROM THE PIT TO THE BOUNDARY ENTRY	450mm
VERGE (WALKWAYS, FOOTPATHS)	450mm
ROAD (NON-STATE OR TERRITORY)	600mm
ROAD CROSSING	800mm TO 1200mm (TYPICALLY)

- CONDUITS SHOULD ENTER THE PITS VIA THE END OF THE PIT ONLY AND BE LOCATED CENTRALLY WITH AT LEAST 50mm OF SPACE BETWEEN CONDUIT EXTERIOR AND THE PIT FLOOR. WHERE MULTIPLE DUCTS ENTER A PIT 25mm (MINIMUM) SEPARATION IS REQUIRED BETWEEN EACH DUCT.
- ALL CONDUIT ENDS ARE TO FINISH SQUARE AND FLUSH WITH THE PIT END WALLS AND BE FITTED WITH BUSHES FLUSH WITH THE PIT WALL ENDS. ALL ENTRIES SHOULD BE SEALED BETWEEN THE CONDUIT EXTERIOR AND THE PIT WALL.
- A DRAW STRING OR SIMILAR (SUITABLE FOR USE AS A CABLE HAULING AID) SHALL BE INSTALLED WITHIN EACH CONDUIT AND THE CONDUIT ENDS SEALED.
- MINIMUM RADIAL CLEARANCE BETWEEN NBN Co CONDUITS AND OTHER UNDERGROUND SERVICES SHALL BE MAINTAINED IN ACCORDANCE WITH THE FOLLOWING TABLE:

SERVICES ITEM	MINIMUM RADIAL CLEARANCES
GAS - LARGE MAIN (OVER 110mm DIA)	300mm
GAS - SMALL MAIN (110mm DIAMETER OR LESS)	150mm
ELECTRICAL - HIGH VOLTAGE	300mm
ELECTRICAL - LOW VOLTAGE	100mm <sup>2</sup>
WATER - HIGH CAPACITY MAIN	300mm
WATER - LOCAL RETICULATION	150mm
SEWER - MAIN	300mm
SEWER - CONNECTION PIPE	150mm
OTHER TELECOMMUNICATIONS	100mm <sup>1</sup>
DRAINAGE - MAIN	300mm
DRAINAGE - CONNECTION PIPE	150mm

<sup>1</sup> - REDUCED SEPARATION IS POSSIBLE WHERE ALL PARTIES ARE CONSULTED AND AGREEMENT IS REACHED  
<sup>2</sup> - ONLY WHERE PROTECTION BARRIERS ARE USED, FOR EXAMPLE, CONDUIT, BEDDING, MARKER TAPE & COVER BATTEN

**Development Information**

Development Name: ZUCCOLI 2  
 Developer Company: Bellamack Pty Ltd  
 Development Address: ZUCCOLI PARADE, PALMERSTON, NT  
 Authorised Rep: DANIEL CAMERON  
 Phone: 08 8982 4821  
 E-Mail: Daniel.Cameron@jacobs.com  
 CRM ID: AYCA-1RX5R9  
 Stage Number: 2B

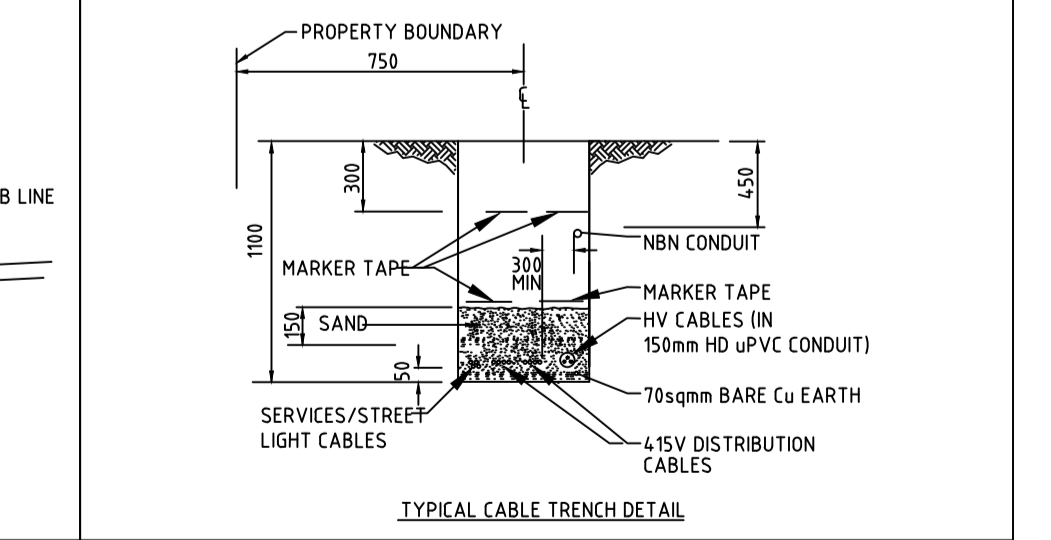
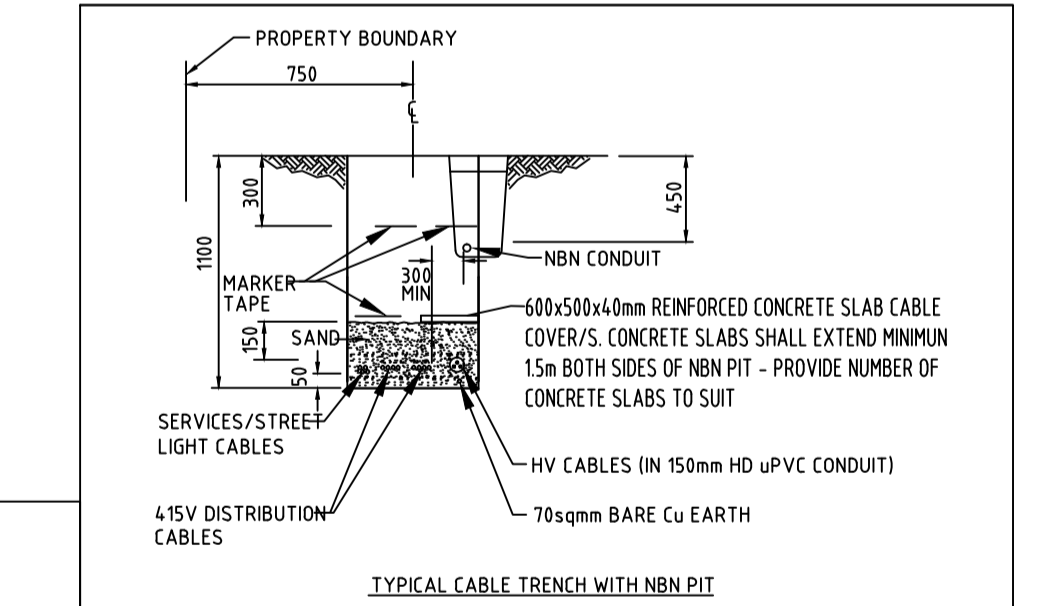
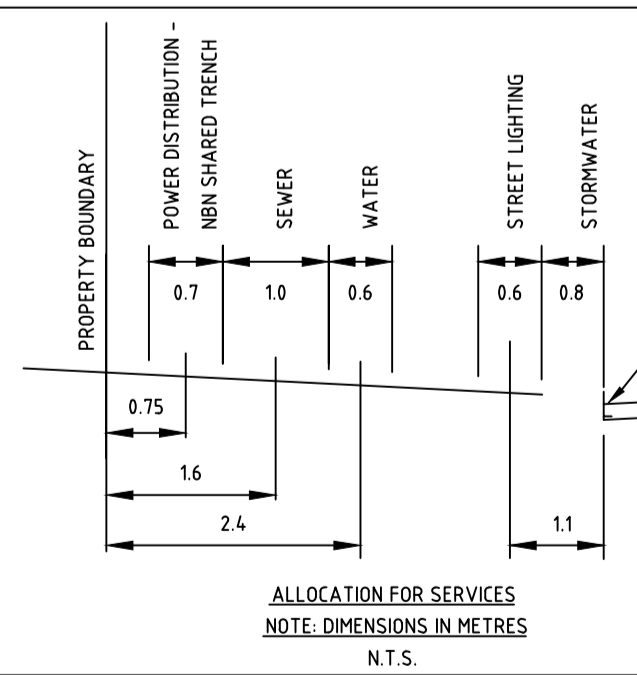
**BILL OF MATERIAL**

NO OF LOTS: 53

PITS		DUCTS	
SIZE	QTY	SIZE	QTY
P100	29	P100	1120
P50	12	P23	325.2
P20	4.9		565
	0		

TOTAL NUMBER OF PITS: 31  
 TOTAL NUMBER OF CONDUITS: 90  
 TOTAL LENGTH OF CONDUITS: 2010.2

**AS-BUILT**



**WARNING**  
**BEWARE OF UNDERGROUND SERVICES**  
 The locations of underground services are approximate ONLY and their exact position should be proven on site. No guarantee is given that all existing services are shown.  
 For underground service locations contact: Dial Before You Dig - Ph: 1100

**PROJECT LEGEND**

CONDUIT MAIN	P2	P2 Pit-Service Drop Access Pit 650mm(L) x 280mm(W) x 565mm(D)
CONDUIT DROP	P5	P5 Pit-Local Network / Boundary Pit 700mm(L) x 450mm(W) x 650mm(D)
23mm (Ø) TELECOMMUNICATIONS CONDUIT UNLESS OTHERWISE STATED	P8	P8 Pit-Local Network Con. / Dist. Pit 136mm(L) x 555mm(W) x 866mm(D)
EXISTING NETWORK	P9	P9 Pit-Fibre Distribution Hub Pit 200mm(L) x 555mm(W) x 900mm(D)
100mm (Ø) TELECOMMUNICATIONS CONDUIT	F0H	FIBRE DISTRIBUTION HUB
50mm (Ø) TELECOMMUNICATIONS CONDUIT	EPR	HAZARD AREA
SHARED TRENCH		

**\*\*ATTENTION\*\***  
**CONSTRUCTORS DO NOT**  
**change or alter job**  
**specifications unless first**  
**checking with designer.**

REV	DATE	DRAFTER	DESCRIPTION	APPROVED
D	02.04.2015	SM (G3NS)	AS-BUILT DETAILS ADDED	GJ (G3NS)
C	11.02.2015	SM (G3NS)	LOT 29 REZONED TO MD LOT, LEAD-IN CONDUIT CHANGED TO P50	GJ (G3NS)
B	09.02.2015	SM (G3NS)	DESIGN REVIEW COMPLETED BY NBN CO, DRAWING ISSUED FOR CONSTRUCTION	GJ (G3NS)
A	03.12.2014	GJ (G3NS)	INITIAL DESIGN OF INTENT	SM (G3NS)

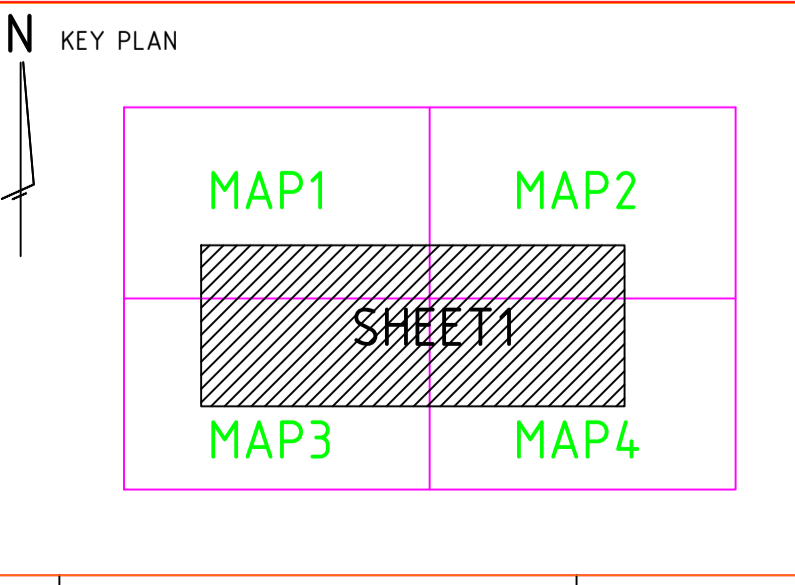
**NBNCO APPROVAL RECORD:**

SIGNATURE	DATE
<input type="checkbox"/> DD	_____
<input type="checkbox"/> WD	_____
<input type="checkbox"/> AB	_____

**QUALITY RECORD:**  
 NBNCO DISCLAIMER  
 THIS DOCUMENT HAS BEEN PREPARED SOLELY FOR THE USE OF NBNCO LIMITED (ABN 86 136 533 741) FOR USE IN MAINTAINING NBNCO FACILITIES. IT HAS NOT BEEN CREATED FOR ANY OTHER USE. IT SHOULD NOT BE SCALED TO LOCATE NBNCO ASSETS. NO WARRANTY IS GIVEN THAT THE INFORMATION IS ACCURATE OR COMPLETE.

**NBNCo Limited**

G3 NETWORK SERVICES PTY LTD  
 ABN 19 141 073 047  
 PO BOX 95 CHELSEA VIC 3196  
 EMAIL: info@g3networkservices.com.au  
 WEB: www.g3networkservices.com.au



**DRAWING TITLE:**  
**NBNCo PIT & PIPE AS-BUILT**  
**ZUCCOLI ESTATE STAGE 2 - STAGE 2B**  
**PALMERSTON**  
**53 LOTS**

STATE: VIC	REGION:	
FSA:	FSAM:	FDA:
PROJECT No: AYCA-1RX5R9		
CADREF No: G3NS0599		
SCALE: NTS	SHEET No. 1	OF 1
		REV. D